



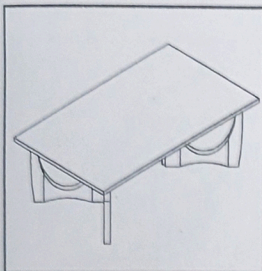
# ASSEMBLY INSTRUCTIONS #3187-C

## HARDWARE LIST

NO	SKETCH	HARDWARE	QTY
1		JCBC M8 x 40mm	8 pcs
2		Screw Ø8 x 1 1/2"	2 pcs
3		Wrench Key	1 pc
4		Phillip Headscrew driver (not included)	

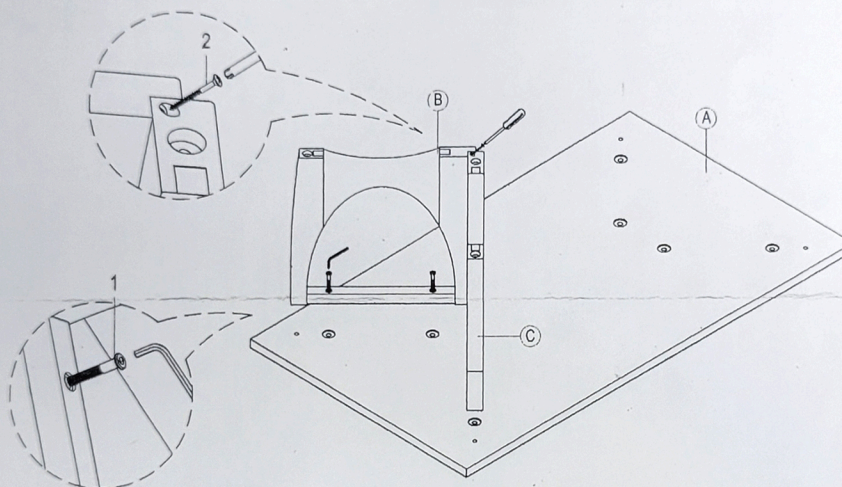
## PART LIST

NO	DESCRIPTION	SKETCH	QTY
A	Top		1 pc
B	Leg-A		2 pcs
B	Leg-A		2 pcs



## ASSEMBLY STEP

### STEP 1



### STEP 2

